

**U.S.
INSTALLATION
INSTRUCTIONS,
WARRANTY
AND
MAINTENANCE
GUIDE**



A  SELKIRK COMPANY

P.O. Box 526, Depot 1,
Hamilton, Ontario L8L 7X6
(905) 662-6600, 1-800-263-9308
Fax (905) 662-5352

**SUPER
CHIMNEY** **MAX!**

&

SUPERPRO

**FACTORY BUILT TYPE HT INSULATED CHIMNEY
INSTALLATION INSTRUCTIONS
& MAINTENANCE GUIDE**



LISTED 98H3

**A MAJOR CAUSE OF CHIMNEY-RELATED FIRES
IS FAILURE TO MAINTAIN REQUIRED CLEARANCES
(AIR SPACES) TO COMBUSTIBLE MATERIALS.**

**IT IS OF THE UTMOST IMPORTANCE THAT THIS
CHIMNEY BE INSTALLED ONLY IN ACCORDANCE
WITH THESE INSTRUCTIONS.**

**PLEASE READ ALL INSTRUCTIONS BEFORE BEGINNING YOUR INSTALLATION. FAILURE TO
INSTALL THIS SYSTEM IN ACCORDANCE WITH THESE INSTRUCTIONS WILL VOID THE
CONDITIONS OF CERTIFICATION AND THE MANUFACTURERS WARRANTY . KEEP
THESE INSTRUCTIONS IN A SAFE PLACE FOR FUTURE REFERENCE.**

SUPERVENT
Products Inc.

P.O. Box 526, Depot 1,
Hamilton, Ontario L8L 7X6
(905) 662-6600, 1-800-263-9308
Fax (905) 662-5352

TABLE OF CONTENTS

TYPES OF APPLIANCE	1
PRE INSTALLATION GUIDELINES	1
TOOLS	1
FRAMING DETAILS	2
CEILING SUPPORT INSTALLATION	2
ATTIC INSULATION SHIELD INSTALLATION	3
FIRESTOP RADIATION SHIELD INSTALLATION	3
ELBOW INSTALLATION	4
WALL SUPPORT INSTALLATION	4 - 5
CATHEDRAL CEILING SUPPORT INSTALLATION	5 - 6
ROOF SUPPORT INSTALLATION	6
RAFTER RADIATION SHIELD INSTALLATION	6
ROOF FLASHING INSTALLATION	6 - 7
ROOF GUY INSTALLATION	7
STOVE PIPE INSTALLATION	8
MAINTENANCE AND CLEANING OF CHIMNEY	8
REPLACEMENT PARTS LIST	8
WARRANTY	9

TYPES OF APPLIANCES

Your Supervent chimney is intended for venting gas, liquid, or solid fuel fired residential type appliances and building heating appliances, in which the maximum continuous flue gas temperatures do not exceed 1000°F. It has been tested and approved to withstand temperatures of up to 2100°F for three ten minute intervals.

PRE-INSTALLATION GUIDELINES

Your Supervent chimney and connecting stove pipe diameter should be sized in accordance with the appliance manufacturer's recommendations.

Plan the installation of your appliance and chimney in such a way that both your chimney and your chimney connector (stovepipe) run is as short and straight as possible. By having too long and or multiple bend installations you can reduce system draft which can affect the operation, and or performance of your appliance and or chimney system. The chimney should also be located within the building so as to avoid cutting or altering load bearing members such as joists, rafters, studs, etc. If you have to cut or alter an existing load bearing member, special reframing methods are required which often include doubling of adjacent members. If such a case arises, contact your local Building Code Official regarding local regulations and proper installation methods.

Sections of the Supervent chimney which pass through accessible areas of the building, must be enclosed in a chase to avoid personal contact and damage to the chimney. The chase may be fabricated using standard building materials. Drywall mounted on 2" x 4" studs is typically used in this situation.

MAINTAIN A 2" MINIMUM AIR SPACE CLEARANCE BETWEEN INSULATED CHIMNEY SECTIONS AND COMBUSTIBLE MATERIALS.

WARNING: DO NOT PLACE ANY INSULATING MATERIALS OR RUN ANY ELECTRICAL WIRING WITHIN THE REQUIRED AIR CLEARANCE SPACE SURROUNDING THE CHIMNEY.

Ensure that you obtain any necessary building permits, and that your installation will conform with all federal and municipal building code requirements. Before commencing installation,

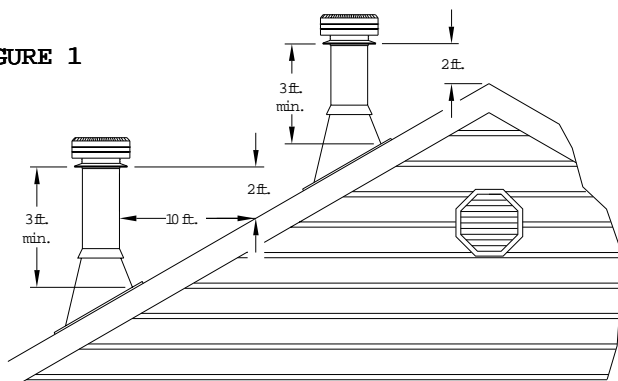
CONTACT LOCAL BUILDING OR FIRE OFFICIALS ABOUT RESTRICTIONS AND INSTALLATION INSPECTION IN YOUR AREA.

Obtain any necessary building permits.

Except for installation in one and two family dwellings, a factory built chimney that extends through any zone above that on which the connected appliance is located is to be provided with an enclosure having a fire resistance rating equal to or greater than that of the floor or roof assemblies through which it passes.

Authorities require that the chimney extend not less than 3 feet above the highest point where it passes through the roof of a building and not less than 2 feet above any portion of the building within 10 feet. See figure 1.

FIGURE 1



The use of locking bands at all chimney joints is recommended for added safety and stability.

In geographical areas experiencing sustained low ambient temperatures, exterior chimneys should be enclosed below the roof line. This will help to reduce condensation, creosote build-up and provide for better draft.

Do not install the chimney directly at the outlet of the appliance. Interconnecting smoke pipe is required unless the appliance is specifically approved for that type of installation.

Use only with an appliance listed by a recognized testing authority such as Underwriters Laboratories Inc., Underwriters Laboratories of Canada or Warnock Hersey.

The flue diameter of gas or oil fired appliances should comply with the appropriate NFPA or ANSI Installation Codes; NFPA 54, ANSI Z223.1, and NFPA31.

YOUR CHIMNEY HAS BEEN TESTED, AND LISTED USING ALL OF THE SUPPORTS, SHIELDS, ETC., DESCRIBED HEREIN. DELETION OR MODIFICATION OF ANY OF THE REQUIRED PARTS OR MATERIALS MAY SERIOUSLY IMPAIR THE SAFETY OF YOUR INSTALLATION, AND VOID THE CERTIFICATION AND OR WARRANTY OF THIS CHIMNEY

TOOLS

Your Supervent chimney system is designed for installation using standard building materials and procedures. The following tools will be required:

- safety gloves
- safety goggles
- hammer and nails
- tin snips
- screwdriver and pliers
- plumb line and level
- square
- spoke saw or power jig saw

Other tools or equipment may be required, depending on your chimney location and the structure in which it is to be installed.

FRAMING DETAILS:

Plan your installation carefully. Lay out and frame in all openings ensuring the specified 2" clearance to combustibles is maintained. See table 1.

All openings should be square, plumb and in perfect alignment with each other. See figure 2.

For sloping roofs, ensure that the framing dimension is measured in the horizontal plane. See figure 3.

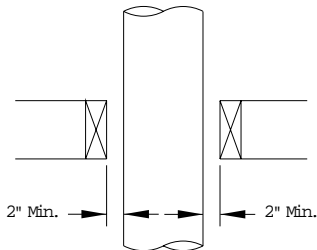


FIGURE 2
Typical Joist Framing

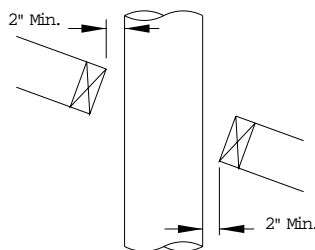


FIGURE 3
Typical Roof Joist Framing

Chimney Flue Diameter	Framing Dimensions		
	Decorator Ceiling Support	* Wall (Support) Thimble	All Other Framing
5"	12 ³ / ₈ x 12 ³ / ₈	14 ³ / ₈ x 14 ³ / ₈	11 x 11
6"	12 ³ / ₈ x 12 ³ / ₈	14 ³ / ₈ x 14 ³ / ₈	12 x 12
7"	13 ³ / ₈ x 13 ³ / ₈	14 ³ / ₈ x 14 ³ / ₈	13 x 13
8"	14 ³ / ₈ x 14 ³ / ₈	14 ³ / ₈ x 14 ³ / ₈	14 x 14

*When cutting the inside "finished" surface of your wall or ceiling cut a "round hole" to the framing dimension.

TABLE 1

INSTALLATION PROCEDURES:

CEILING SUPPORT

To complete a proper decorator ceiling support installation, the following parts will or may be required:

- Decorator Ceiling Support:
- Attic Insulation Shield: - Required where a chimney passes into an unoccupied attic space.
- Firestop Radiation Shield: - Required where a chimney passes from a lower living space into an upper living space or occupied attic space
- Roof Flashing Assembly: - Required where the chimney penetrates a roof.

- Rafter Radiation Shield: - Required when the chimney is enclosed immediately below the roof.
- Suitable lengths of Chimney: - The chimney diameter should be sized to suit the appliance.
- 15° or 30° Chimney Elbow : - and suitable supports (roof support or elbow support), if required.
- Rain Cap: - Standard or Deluxe model

The Supervent Ceiling Support will support up to 50 feet of chimney sections, all of which must be installed above the support. Figures 4 & 5 show the 2 most common types of Ceiling Support Installation.

Slide the Trim Ring onto the Ceiling Support and slide assembly into framed opening from below. Ensure that the finishing plate is flush with the underside of the ceiling and the assembly is level and plumb. Hammer 3 6d or (2") nails through each of the 4 straps or through the 12 prepunched holes in the support.

Lower the first section of chimney into the Ceiling Support ensuring that the male coupler is pointing upwards, as indicated by the arrow on the chimney label.

Center this first chimney section in the Ceiling Support and from beneath the support insert the stove pipe adaptor and lock it into place by turning clockwise until tight. This will hold your chimney in place while the rest of your installation is completed.

Install additional chimney sections and lock together by turning clockwise until the two sections lock together tightly. Install a locking band to secure the two chimney sections. Continue adding chimney lengths until a height of about 2 feet below the next ceiling level is achieved.

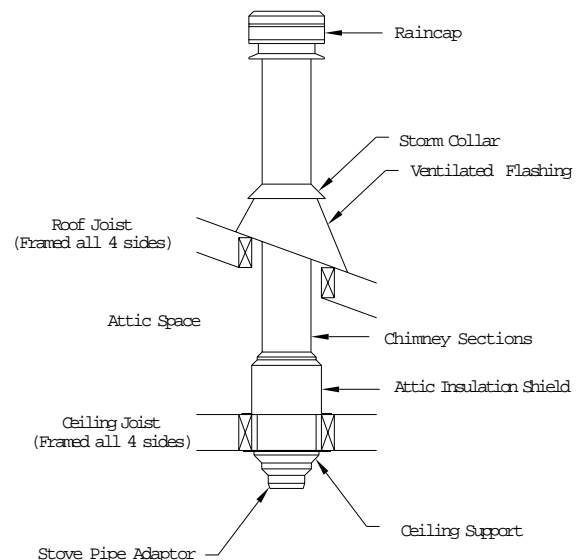


FIGURE 4 **Single Story Installation**

ATTIC INSULATION SHIELD

An Attic Insulation Shield must be installed where the chimney enters an attic space. It is designed to keep insulation materials away from the chimney and will protect up to a 10 inch thickness of insulation.

When an Attic Insulation Shield is required above the Ceiling Support as shown in Figure 4, a regular Attic Insulation Shield (JSC* AIS) may be used. Ensure that the base of the shield is flush with the top of the joist framing and nail in place using 1" spiral nails. If the base does not fit flush with the framing, measure the distance that the base is sitting above the framing and trim that amount off of the bottom of the Attic Insulation Shield before nailing in place.

When an Attic Insulation Shield is required where the chimney passes from a living space to an attic space, as shown in figure 5, a Firestop Attic Insulation Shield must be used. Install the shield from above and nail in place using 1" spiral nails.

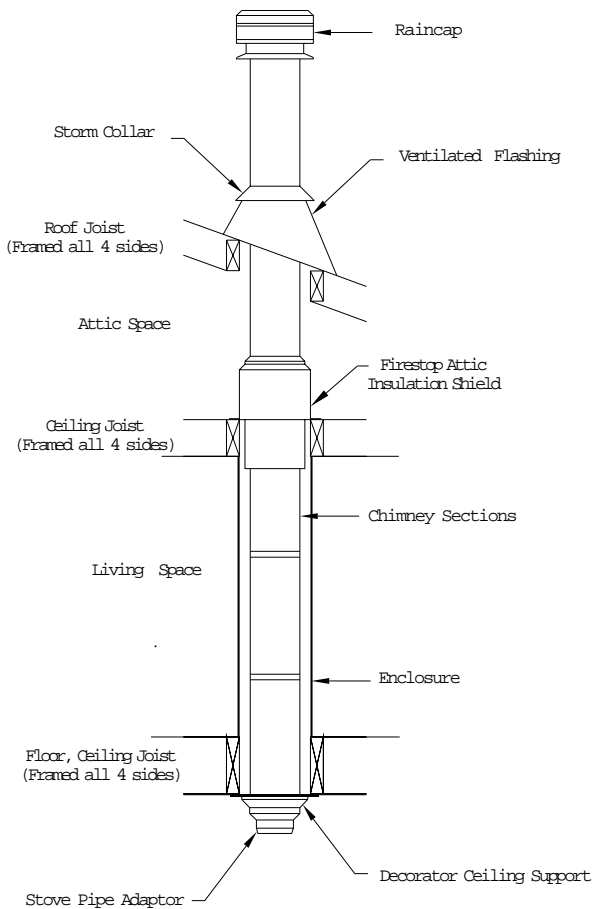


FIGURE 5
Two Story
Main Floor Installation

FIRESTOP RADIATION SHIELD

A Firestop Radiation Shield must be installed where the chimney passes from one living space to another living space, as shown in figure 6. It is designed to provide proper firestopping between floors and to keep direct radiation from the chimney away from the joist framing.

Install the Firestop Radiation Shield from below the joist framing and nail in place using 1" spiral nails. Ensure no insulation is within the 2" air space clearance around the chimney. This includes the air spaces between the Firestop Radiation Shield and the joist framing.

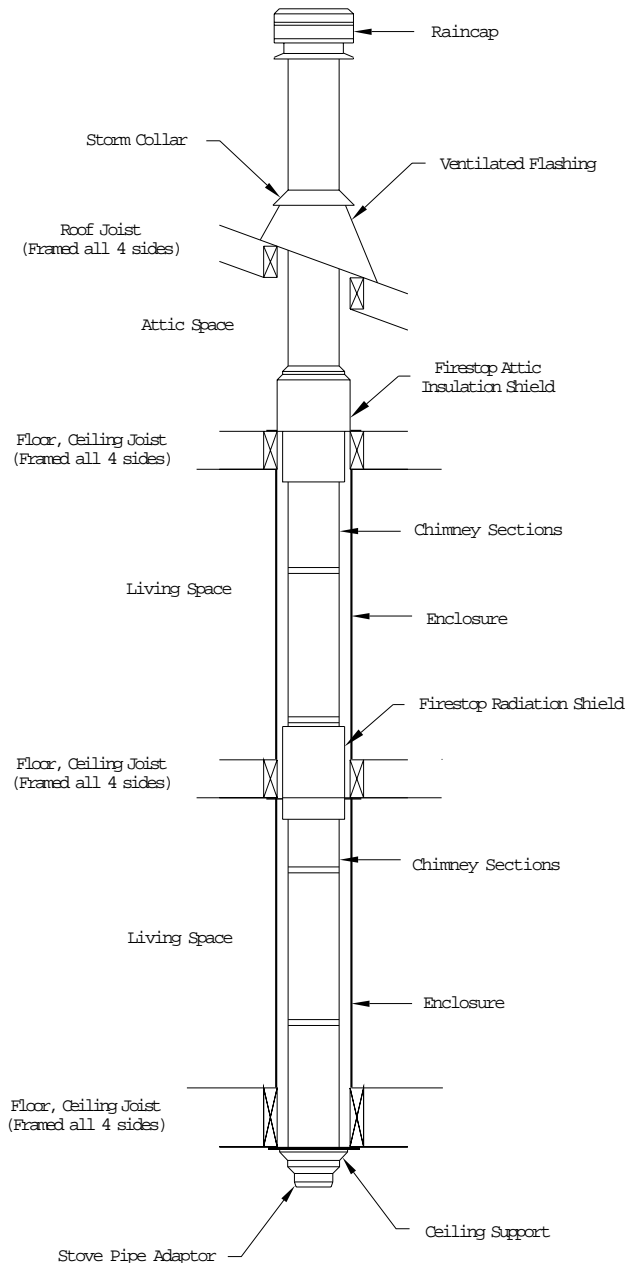


FIGURE 6
Two Story
Basement Installation

ELBOW INSTALLATION

One pair of (two) 15° or 30° elbows may be used to provide an offset in order to avoid cutting of joists and to clear other obstructions. Each elbow support will support 10 feet of chimney and the Maximum length of chimney allowed between the elbows is 6 feet.

The female end of the elbows are **not** embossed, in order to ensure proper alignment of the chimney system can be maintained. Locking bands must be used at all chimney joints.

Never install an elbow in a joist area. Chimney sections must pass vertically through framed joist areas.

During installation provide supplementary support for the offset section to avoid undue stress on connected elbows.

Install an elbow support just above the highest elbow. Attach the Support Band to the chimney with 4 of the nuts and bolts, and then install the four stainless steel sheet metal screws through the pre-punched holes. Attach the Support Straps to the Support Band assembly and nail the Support Straps to the framing using 6d (or 2") nails. See figure 7.

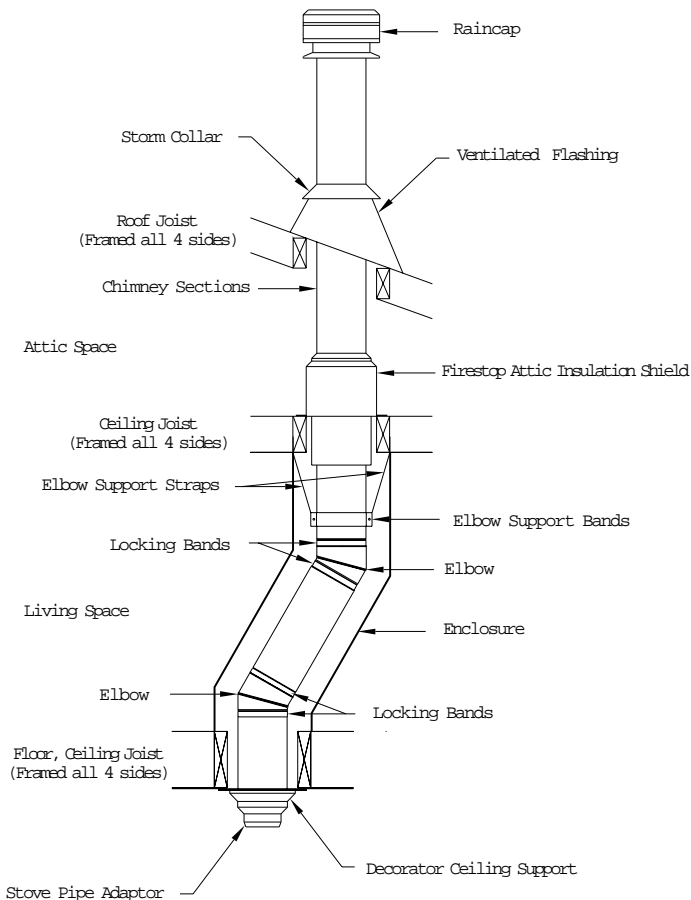


FIGURE 7 Offset (Elbow) Installation

WALL SUPPORT

To complete a proper Wall Support installation, the following parts are required:

- Adjustable Wall Support:
- Roof Flashing Assembly: - Required when the chimney penetrates a roof or a roof overhang.
- Rafter Radiation Shield: - Required when the chimney is enclosed immediately below the roof.
- Wall Bands: - Required to provide lateral support to chimney.
- Suitable lengths of chimney: - The chimney diameter should be sized to suit the appliance.
- Wall Thimble: - Required to pass through a combustible wall.
- Rain Cap: - Standard or Deluxe model

The Supervent Adjustable Wall Support will support up to 30 feet of chimney, all of which must be above the support with the exception of the 1 foot cleanout section, which is installed below the support.

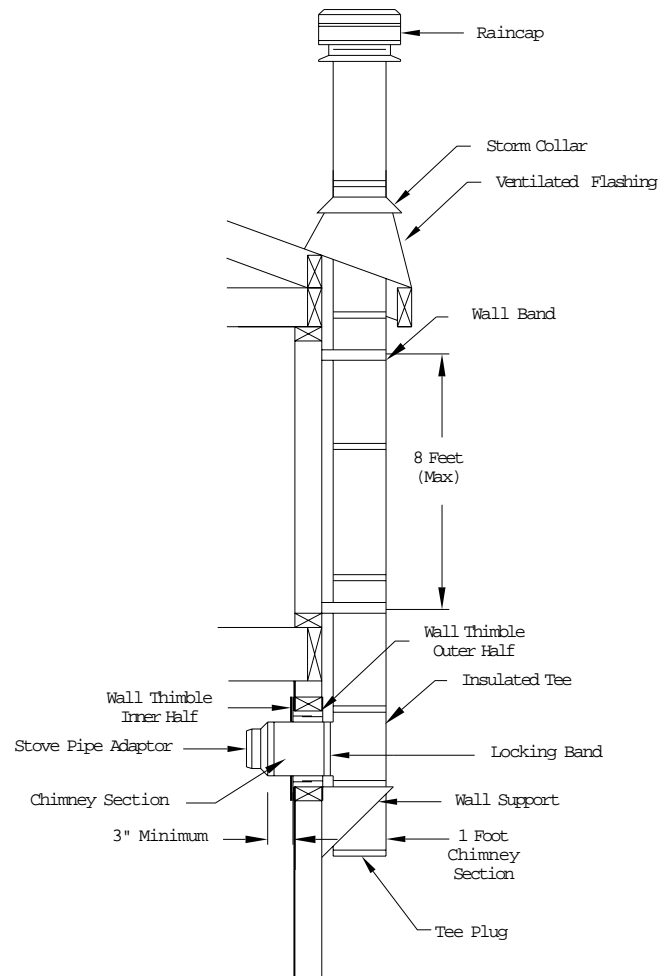


FIGURE 8 Wall Support Installation

After framing in your opening to the dimensions specified in the Framing Details section, install the outer half (with square plate) of the wall thimble in the outside wall surface. Secure in place using appropriate fasteners using all of the pre-punched holes. For concrete walls, cut a hole slightly larger than the chimney.

Install the inner half (with round plate) of the wall thimble in the inside wall surface, Ensuring that the shield slides into the shield of the outer half. Once in place and flush against the wall, install the trim plate and fasten in place with appropriate fasteners through the four pre-punched holes.

Assemble the Wall Support (Figure 9) by attaching the 2 side brackets to the support plate, with the hardware supplied (female coupler attached to the plate is down).

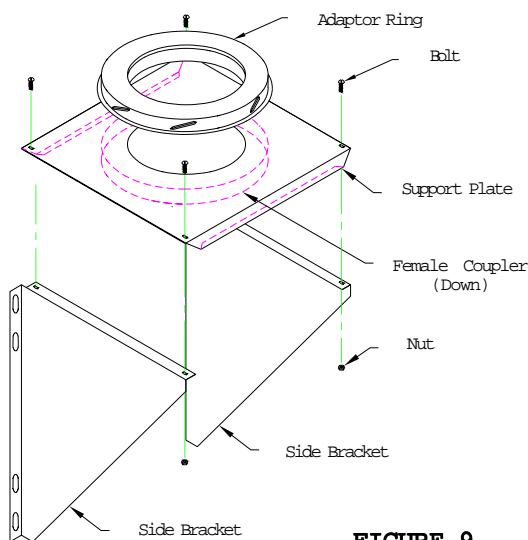


FIGURE 9

Install a one foot (or longer as required) length of insulated chimney to the horizontal branch of the insulated tee. Lock securely into the tee by twisting clockwise. A locking band must then be installed at this connection. Make sure the nut and bolt are facing down to prevent any water from collecting in the locking band.

NOTE: THE CHIMNEY MUST EXTEND AT LEAST 3" (75 MM) INTO THE LIVING SPACE WHERE THE STOVE PIPE CONNECTOR WILL BE ATTACHED TO THE CHIMNEY BRANCH.

From outside the building, slide the chimney length (previously installed on a tee) through the wall thimble ensuring the male coupling on a tee is facing upward.

Place the adaptor ring (Figure 9) on the wall support so that the sleeve on the adaptor drops through the hole in the support plate. Place the assembled wall support against the wall (plate up) directly below the tee. Slide wall support up to the tee ensuring that the adaptor on the wall support engages with the female coupler of the tee.

Ensure the wall support is level, and secure to the wall with four 1/4" by 2" Lag Bolts through the pre-punched slots in each bracket. If the support is properly positioned, these lag bolts will go into wall studs placed on 16" centers.

Install a wall band midway up the first chimney length above the tee. Wall bands must then be installed at 8 foot intervals above this point. See figure 8. The nut and bolt supplied will fasten the band around the chimney. Secure the wall band bracket to the wall using two 6d or 2" spiral nails. For concrete walls use suitable masonry fasteners.

Slide the assembled intermediate wall support over the protruding length of chimney. Fasten the intermediate wall support to the wall using four 1/4" by 2" wood screws through the pre-punched slots in each bracket. Install the draw band around the protruding chimney length securely against the support plate. Install four stainless steel sheet metal screws firmly into the outer casing of the chimney, through the pre-punched holes in the draw band.

CATHEDRAL CEILING SUPPORT

To complete a proper Cathedral Ceiling Support installation, the following parts are required:

- Cathedral Ceiling Support:
- Roof Flashing Assembly: - Required when the chimney penetrates a roof.
- Suitable lengths of chimney: - The chimney diameter should be sized to suit the appliance.
- Rain Cap: - Standard or Deluxe model

The Supervent Cathedral Ceiling Support will support a total of 30 feet, of chimney. Chimney joints made below the support must be secured with locking bands.

After framing in your opening to the dimensions specified in the Framing Details section, slide the Cathedral Support box into joist opening. Once the box is at the desired level, ensure box is level and nail the box to framing using four 2" spiral nails or equivalent per side. The excess material sticking above the roof can either be trimmed off before attaching the box to the framing or, after it is installed the corners can be cut and the excess material folded down onto the roof deck.

Install the Support Band on Chimney length at desired position by tightening the draw band bolt and by screwing four stainless steel sheet metal screws through the draw band and into the outer casing. Lower the chimney length down through the opening in the bottom of the support so that the Support Band makes contact with the bottom of the Support Box. (See Figure 10)

NOTE: The male coupler of each chimney length must be up.

The bottom chimney length(s) should protrude into the living space so that proper clearances are maintained on the stove pipe connector.

Install additional chimney sections and lock together by turning clockwise until the two sections lock together tightly. Continue in this manner until the required height above the roof is achieved. Chimney sections (15 feet max.) installed below the Cathedral Ceiling Support are locked together from below by turning clockwise until tightly locked together with each joint being secured by a locking band.

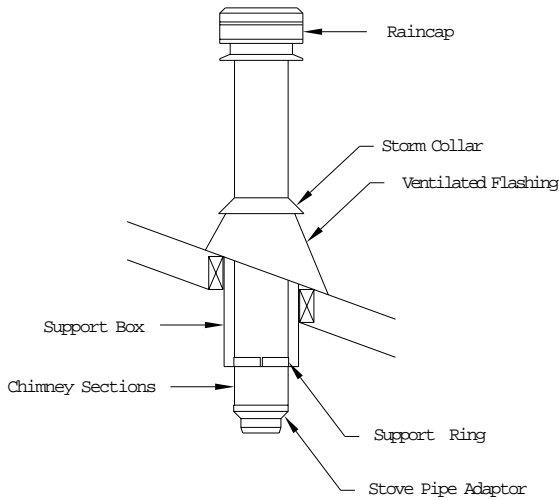


FIGURE 10 Cathedral Ceiling Support Installation

ROOF SUPPORT

The Roof Support may be used on a floor, ceiling or roof and adjusts to any roof pitch. It may be used above an offset to support the offset or as a supplementary support when the chimney height exceeds that of the primary support. The Roof Support will support a total height of 50 feet of chimney sections. All chimney sections below the support must be secured with locking bands.

Attach the support brackets to the support band with the 1/2" nuts, bolts and lock washers. The lock washer is placed between the band and support bracket to provide proper spacing as shown in Figure 11.

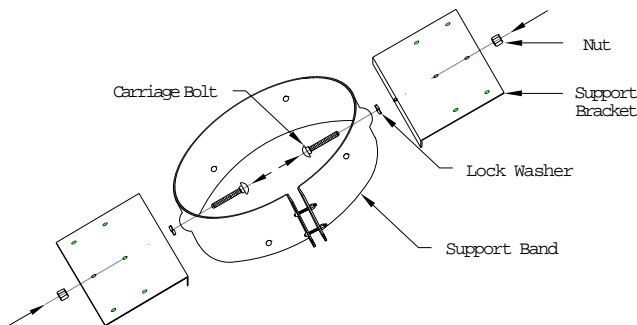


FIGURE 11 Roof Support Assembly

Slide the Roof Support down over the chimney section until its brackets rest on the roof or floor. Tighten the collar around the chimney with the nuts and bolts supplied, then secure the collar by screwing the 6 supplied sheet metal screws through the holes in the collar and into the chimney.

Center the chimney in the joist and nail or screw the support to the roof or floor using the 12 - 3 1/2" spiral nails supplied or 12 #8 - 1 1/4" wood screws.

Install additional chimney sections and lock together by turning clockwise until the two sections lock together tightly - continue in this manner until the desired height is achieved.

NOTE: The male coupler of each chimney length must be up.

RAFTER RADIATION SHIELD:

A Rafter Radiation Shield must be installed where the chimney is enclosed immediately below the roof line as shown in figure 15. An example of this is when the attic space of a house is being used as living space (ie. bedroom, guestroom etc.)

Attach the support brackets to the shield (through one of the three pre-punched holes) such that once the shield is installed, the shield protects both the upper and lower parts of the roof joist framing (See figures 12 & 15).

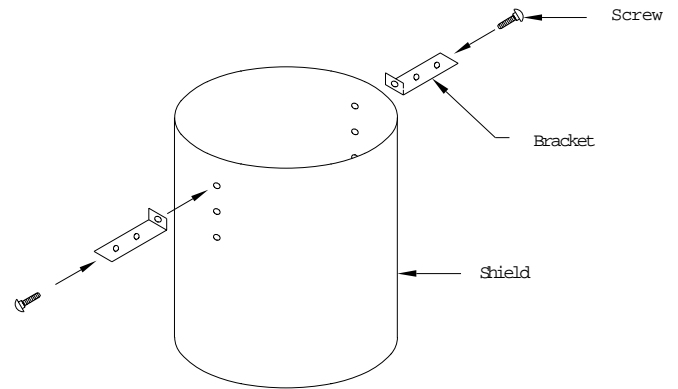


FIGURE 12 Rafter Radiation Shield Assembly

ROOF FLASHING:

Ensure that you have the proper roof flashing by checking your roof pitch using a level and two rulers (see fig. 13) or by using a roof pitch card.

The AAF flashing is for roof pitches from 0/12 to 6/12.
The AF2 flashing is for roof pitches from 6/12 to 12/12.

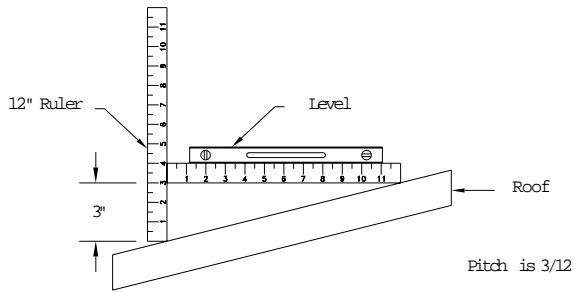


FIGURE 13 Roof Pitch Calculation

Slide a Roof Flashing Assembly suitable to your roof slope over the chimney. Place the top edge of flashing plate under the shingles. Place both sides and the lower edge on top of the shingles (See figure 14). Do not nail in place at this time.

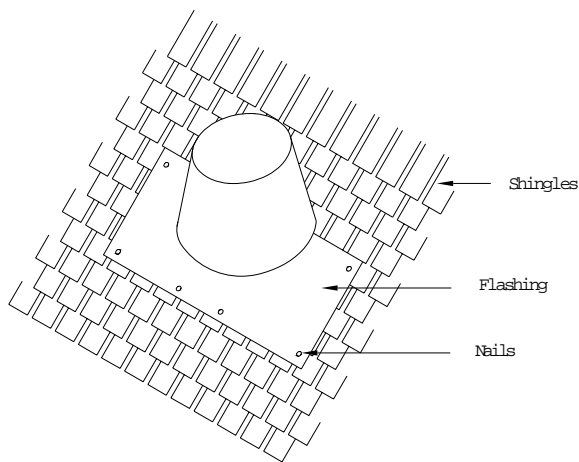


FIGURE 14 Roof Flashing Installation

Ensure that the chimney is plumb. Square up the flashing plate and nail in place to the roof deck. Use 12 nails with neoprene washers or cover the heads with a suitable waterproof mastic. At the top edge of the flashing plate, lift the shingles and nail the plate to the roof deck. Then cement shingles to the plate with a suitable waterproof mastic.

Wrap the Storm Collar around the chimney above the flashing. Secure the ends together loosely with the nut and bolt supplied. Slide the collar down the chimney until it contacts the flashing. Tighten the nut and bolt and seal the Storm Collar to the chimney with a suitable waterproof non-combustible mastic. After installation check to ensure that the ventilation slots are not obstructed. (See Figure 15)

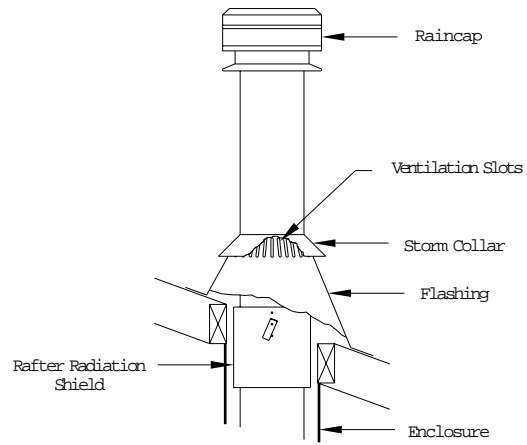


FIGURE 15 Storm Collar/Flashing Installation

WARNING: DO NOT BLOCK THE VENTILATION SLOTS ON THE FLASHING.

The flashing and storm collar should be painted to match the roof shingles. This will extend its life and improve the appearance. Clean, prime and paint with suitable painting products.

Continue adding chimney lengths until the proper height is achieved (See figure 1). Install the rain cap and lock it in place by turning clockwise until tight.

ROOF GUY INSTALLATION

If the chimney extends more than 5 feet above the roof deck, roof guys are required. The Roof Guy kit containing telescopic legs and draw band are suitable for this application. The draw band must be clamped around the chimney and the two legs bolted to the roof. Seal the roof with a suitable waterproof mastic. After the legs are attached to the chimney and bands tighten the clamps on the legs to fix the position of the telescoping legs. (See Figure 16)

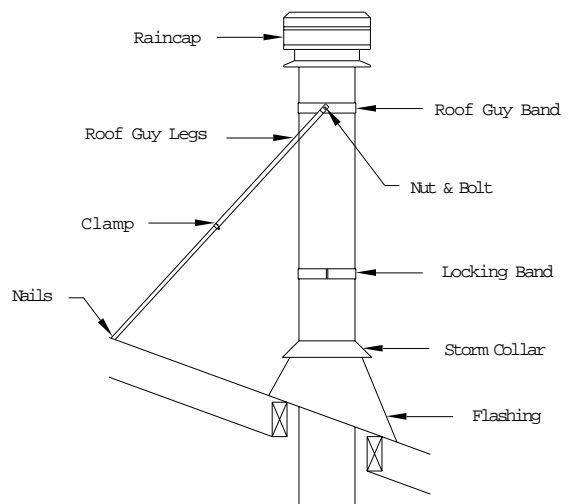


FIGURE 16 Roof Guy Installation

STOVE PIPE INSTALLATION

From beneath the chimney insert the male coupler of the stove pipe adaptor into the chimney and lock it in place by turning clockwise until tight.

Install inter-connecting stove pipe following appliance manufacturer's instructions, and appropriate building code requirements keeping in mind that the stove pipe run should be as short and straight as possible. Generally, for a wood burning appliance installation, an 18" minimum clearance to combustibles must be maintained for the stove pipe.

NOTE: The exception to this is the Supervent double wall stovepipe "**Superpipe**" which can be installed at reduced clearances to combustibles.

MAINTENANCE AND CLEANING OF CHIMNEY:

"Creosote and Soot - Formation and Need for Removal"

When wood is burned slowly, it produces tar and other organic vapors, which combine with expelled moisture to form creosote. The creosote vapors condense in the relatively cool chimney flue of a slow-burning fire. As a result, creosote residue accumulates on the flue lining. When ignited, this creosote makes an extremely hot fire.

With a new installation, the chimney should be inspected frequently (every 2 wks) to determine the rate of creosote formation. When familiar with the appliance and chimney characteristics, the chimney should be inspected at least once every 2 mths during the heating season to determine if a creosote or soot build-up has occurred.

If creosote or soot has accumulated, it should be removed to reduce the risk of chimney fire.

Contact a local professional chimney sweep for chimney cleaning services and advice.

The rain cap may be unscrewed using a twist-lock feature. Care should be taken not to disengage any lower chimney sections. This will permit the insertion of a properly sized wire or plastic chimney cleaning brush.

WARNING:

DO NOT USE FUEL MATERIALS CORROSIVE TO THE CHIMNEY LINER SUCH AS DRIFTWOOD, PLASTICS, CHEMICALLY TREATED WOOD, ETC..

REPLACEMENT PARTS LIST

DESCRIPTION	SUPERPRO PART N ^o .	SUPERCHIMNEY PART N ^o .
36" Chimney Length	SPR*L36	JSC*SA3
24" Chimney Length	SPR*L24	JSC*SA2
18" Chimney Length	SPR*L18	JSC*SA18
12" Chimney Length	SPR*L12	JSC*SA1
6" Chimney Length	SPR*L6	JSC *SA6
Tee with Plug	SPR*ITP	JSC*SITS
15° Elbow	SPR*E15	JSC*SE
30° Elbow	SPR*E30	JSC*SE3
Ceiling Support	SPR*CSB	JSC*DCS
Adjustable Wall Support	JSC*AWS	JSC*AWS
Cathedral Ceiling Support	SPR*CCSB	JSC*CCSB
Roof Support	JSC*RS	JSC*RS
Elbow Support	JSC*ES	JSC*ES
Locking Band	SPR*SLB	JSC*SLB
Stove Pipe Adaptor	JSC*ASE	JSC*ASE
Wall Thimble	SPR*WTB	JSC*WTB
Trim Collar	J*TC	J*TC
Wall Band	JSC*WB	JSC*WB
Adjustable Ceiling Plate	JSC*CT	JSC*CT
Universal Roof Guy Kit	JURGK-1	JURGK-1
Adaptor Plate	JSC*AP	JSC*AP
Firestop Radiation Shield	JSC*FRS	JSC*FRS
Attic Insulation Shield	JSC*AIS	JSC*AIS
Firestop Attic Insulation Shield	JSC*FAIS	JSC*FAIS
Rafter Radiation Shield	JSC*RRS	JSC*RRS
Finishing Plate	J*FP	J*FP
Deluxe Raincap	SPR*PRC	JSC*DRC
Standard Raincap	N/A	JSC*RC
Spark Arrestor	J*SPAR	J*SPAR
1/12-6/12 Roof Flashing	JSC*AAF	JSC*AAF
6/12-12/12 Roof Flashing	JSC*AF2	JSC*AF2

SUPERVENT CHIMNEY

MODEL SC/SPR LIMITED WARRANTY

I INTRODUCTION

The Model **SC** or **SPR** chimney of Supervent Products Inc ("Supervent") (the "chimney") is designed to supply many years of satisfactory usage. In order to ensure peak performance and safety, reference should be made to the "Installation Instructions and Maintenance Guide" (the "Guide").

II WHAT THIS WARRANTY COVERS

This warranty covers any substantial defects in material and workmanship in normal use that are found to exist in any component part of your new chimney with the exceptions as stated below. For Model **SC** chimney the cost of replacement parts will be shared by you and Supervent in accordance with the following formula: (a) the cost shall be paid by Supervent during the first year of operation (commencing on the date of purchase) and (b) thereafter Supervent's warranty commitment will be reduced by 10% per year from the first to the tenth year. For Model **SPR** chimney, replacement parts will be supplied at no cost for the first 10 years. From the 10th to the 25th year, the warranty commitment will be reduced by 1/15th per year. By using the phrase "in normal use" or "under normal usage", we mean that the chimney must be properly installed, operated and maintained in accordance with the provisions of the Guide for your coverage to apply. The decision as to whether parts should be replaced or repaired shall be made by a certified Supervent inspector.

III HOW LONG THE WARRANTY LASTS

The Model **SC** chimney is warranted for a period of ten (10) years from date of purchase. The Model **SPR** chimney is warranted for a period of twenty five (25) years from date of purchase. Any repairs made to or replacement parts installed in your chimney during the warranty period will not extend the warranty period (Upon the expiry of the warranty period, replacement parts will be available to you for a further five-year period at the then-current factory cost).

IV WHAT THIS WARRANTY DOES NOT COVER

a) Improper Installation, Operation and Maintenance

This warranty only applies if your chimney has been installed, operated and maintained in the manner described in the Guide. This Warranty is void if the chimney has been incorrectly sized. It must be installed and sized according to the manufacturer's recommendations and instructions. The Warranty is void if, in the opinion of a certified Supervent inspector, the failure is due to incorrect sizing or installation, or is installed contrary to the specifications set out in the National Fire Code. This Warranty is void if driftwood, garbage, or any other prohibited material (as set forth in the Guide) has been burned in the appliance served by your chimney. Your chimney should be inspected at the beginning of each heating season. It is recommended that your chimney be cleaned at least annually and more often with extended usage. If you have your chimney installed by a professional, he should be able to assure you that the chimney has been properly installed and to answer any questions you may have about how to operate it. You may also address any question you have about proper installation, operation and maintenance to Supervent at our address set forth in Part VIII.

b) Excluded Parts

The "rain cap" and "base tee" component parts are excluded from coverage under this Warranty.

c) Shipping Damage

This Warranty does not include coverage for damage or loss to your chimney incurred during the shipping of the unit to its destination. Any claims in respect of shipping damage should be made against the carrier.

d) Consequential and Incidental Damages

This Warranty is strictly limited to the repair or replacement of the chimney in whole or in part and does not cover consequential damages (the cost of repairing or replacing other property or the surrounding structure that is damaged as a result of the malfunctioning of the chimney). Supervent shall not be responsible for any structural damage to the premises in which the unit is located that is a result of the repair or replacement of the warranted parts.

It also does not cover transportation or labour (including installation or removal) costs that you may have to pay in order to repair or replace any parts. Some provinces or states may not allow the limitation or exclusion of consequential or incidental damages, so the above limitations may not be applicable in those jurisdictions.

e) Warranty Invalid

This Warranty does not cover damage that results from attempts to repair the chimney made by any person who is not authorized by Supervent to make repairs to your chimney or if your chimney has been moved to a location that is different from its original installation.

f) Accidents/Acts of God

This Warranty does not cover damage to your chimney that results from accidents such as fire, flood, high winds, "acts of God", or any other contingency that is beyond our control.

g) Legal Rights

This Warranty represents the sole warranty of Supervent in respect to your chimney. No other representation, warranty or condition, statutory or otherwise, written or oral, is expressed or to be implied. No Supervent agent, employee or distributor has any authority to amend, modify, alter or extend the terms or duration of this Warranty.

V WHAT WE WILL DO

If you notify us about any part that has become defective during the warranty period, we will replace or repair any part that we decide is covered by this Warranty. If in Supervent's opinion, your chimney is to be replaced, we will replace your chimney with that same model or one that is comparable to the chimney that was originally installed. We reserve the right to inspect your chimney or any part that you claim is defective and to take any steps we feel are necessary to satisfy ourselves that any claims that you have made about defective parts or the malfunctioning of your chimney are valid. This inspection may require a visit to the place of installation.

VI WHAT WE WILL NOT DO

We will not:

- repair or replace your chimney or any part of it that we have said we will not cover in "Part IV-What This Warranty Does Not Cover".
- repair or replace any part of your chimney unless you have sent us the date and proof of purchase.
- repair or replace any part of your chimney unless the replacement has been approved by an authorized Supervent representative.

VII WHAT TO DO TO KEEP YOUR WARRANTY IN EFFECT

In order to keep this Warranty in effect, you must:

- follow the directions that we have outlined in the Guide for installing, operating and maintaining your chimney;
- contact us in writing about any defect that you find in your chimney as soon as you notice it;
- provide us with the model and serial numbers of your chimney and the date it was purchased;
- you must be ready to allow us to inspect your chimney; and
- keep this Warranty in a safe place.

VIII OUR ADDRESS IS

Supervent Products Inc.
P.O. Box 526, Depot 1,
Hamilton, Ontario L8L 7X6
Telephone: (905)662-6600
(800)263-9308

Fax: (905) 662-5352

IX OTHER RIGHTS

This Warranty gives you specific legal rights and you may also have other rights which vary from province to province or state to state.